



CURB WEIGHT  
**5,684 lbs.**

RANGE  
**125 miles**

MAX PAYLOAD  
**5,316 lbs.**

WHEELBASE  
**130 inches**

GVWR  
**11,000 lbs.**

LxWxH  
**230x77x88**



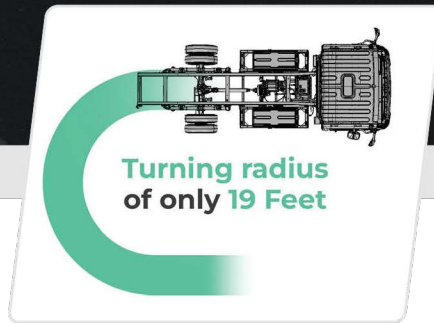
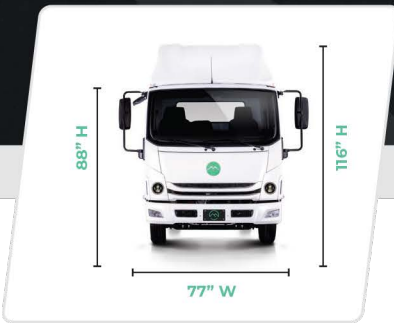
## 2024MY All Electric Class 3 Low Cab Forward



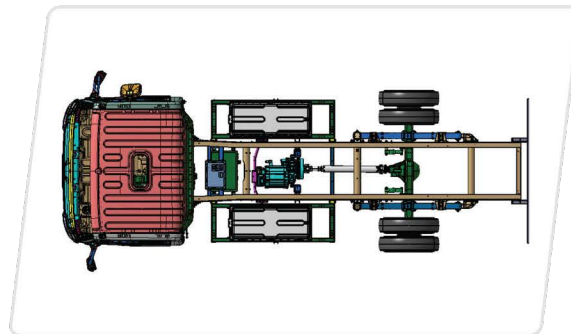
Eligible for up to \$7,500 Federal Tax Incentive  
Eligible for up to \$45,000 HVIP Incentive (CA Only)  
Eligible for up to \$15,000 MOR-EV Incentive (MA Only)



Federal Tax Incentive & HVIP / MOR-EV Incentive can be combined



**Motor: 120 kW**



**Battery: 89 kWh**

Based on current specifications and subject to change.



**Mullen Headquarters**  
1405 Pioneer Street,  
Brea, CA 92821 USA  
+1 714-613-1900



Amerit Fleet Solutions is Mullen's national service and warranty repair provider with over 1,800 highly trained vehicle service technicians across the United States.

DIMENSIONS & CAPACITY	
Wheelbase	130 in.
L×W×H	230×77×88
GVWR	11,000 lbs.
Curb Weight	5,684 lbs.
Max Payload	5,316 lbs.
Bumper to Back of Cab (BBC)	65.8 in.
Cab to Axle (CA)	108.3 in.
Cab to End of Frame (CE)	164.5 in.
Maximum Body Length	14 ft.
Maximum Body Width	96 in.
Frame RBM	541,675 (lb.-ft./in.)
MECHANICAL	
Electric Motor	120 kW
Battery Capacity	89 kWh
Range	125 <sup>(1)</sup> miles
Regenerative Braking	Standard
Level 2 Charging	up to 12kW
Level 3 DC Charging	up to 78kW
Drive Type	Rear Wheel Drive (RWD)
PERFORMANCE	
Horsepower	160 hp
Torque	235 lb.-ft.
Top Speed	65 mph
DATA CONNECTIVITY	
Telematics	Optional

EXTERIOR FEATURES:
Full Size Spare Tire
Tilt Cab Top/Side Marker Lighting
INTERIOR FEATURES
Analog Gauges with Digital Driver Info Center
Auxiliary Power Outlet
Digital AM/FM/Bluetooth/USB Port
High-Definition Back-Up Camera
7-Inch Infotainment Color Touchscreen
Dual Storage Glove Box
Illuminated Entry, Air Conditioning, Sun Visors
Power Door Locks & Windows
Cloth Seating Surfaces
Adjustable Front Head Restraints
Driver Seat - Manual Fore/Aft with Recline
Passenger Seat - Bench with Fold Down Back
Center Seat with Fold Down Workspace
Center Workspace includes Dual Cupholders/Storage
SAFETY FEATURES
Anti-Theft Alarm System
ABS Braking with Regenerative Braking (ABS)
Electronic Brake-Force Distribution (EBD)
Center Console Manual Parking Brake
Assist Steps and Grab Handles
Power Steering
Remote Keyless Entry (2 Key Fobs)

The Manufacturer's Suggested Retail Price (MSRP) excludes destination freight charge, tax, title, license, dealer fees and optional equipment. Dealer sets final price.

Note: All figures are reference only and Mullen reserves the right to modify any and all information shown, without notification. Options subject to change.

(1) Combined City/Highway usage with 10 percent remaining battery state of charge. Range can vary depending on conditions such as climate, driving behavior, road conditions, etc.